

**A/AN** **50Hz** SERIES  
SUBMERSIBLE WASTEWATER  
SUMP PUMPS



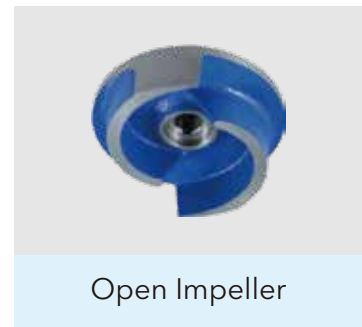
# AN

## FEATURES

- A precision manufacture assembling lines, complimented with a synthetic production test to ensure each IP68 motor with highest level of final pump quality.
- Standard accessories include : cable with an epoxy resin sealed water-resistant cable base, Auto-cut motor protector, double mechanical seals and oil seal design.
- Oil Elevation Disk design in the oil chamber to ensure the mechanical seals lubrication and to extend the service life of pump.
- Lightweight, portable and durable for wide range of uses.
- A-05A is a practical pump, with a low temperature, oil filled motor and single mechanical seal design (CA/CE).



Vortex Impeller



Open Impeller

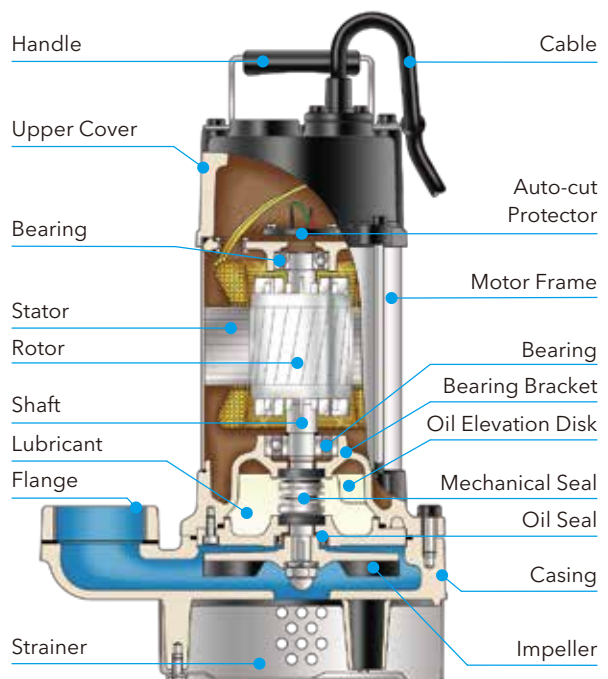
## APPLICATIONS

- Sump drainage.
- Flood control.
- Water features.
- Dewatering fishpond, basement, cellars.

## PRODUCT NOMENCLATURE

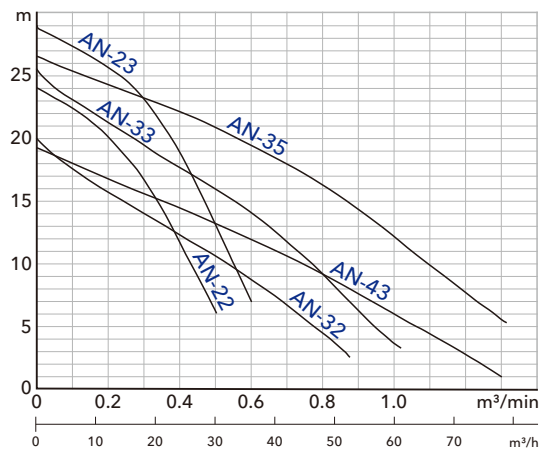
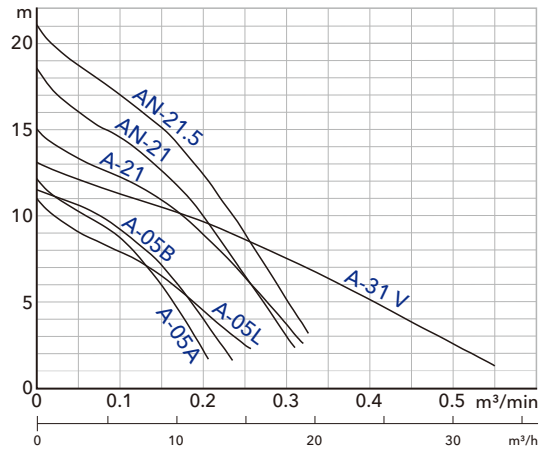
|      |   |                   |    |                             |
|------|---|-------------------|----|-----------------------------|
| AN   | — | 2                 | 1  |                             |
| Type |   | Discharge<br>inch | HP |                             |
| A    | — | 3                 | 1  | V                           |
| Type |   | Discharge<br>inch | HP | Vertical Discharge<br>Model |

※ V Type: 3"(80mm) Vertical Discharge Model





## PERFORMANCE CURVES



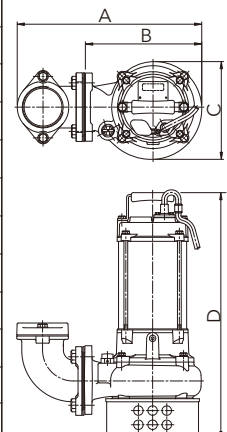
## SPECIFICATIONS

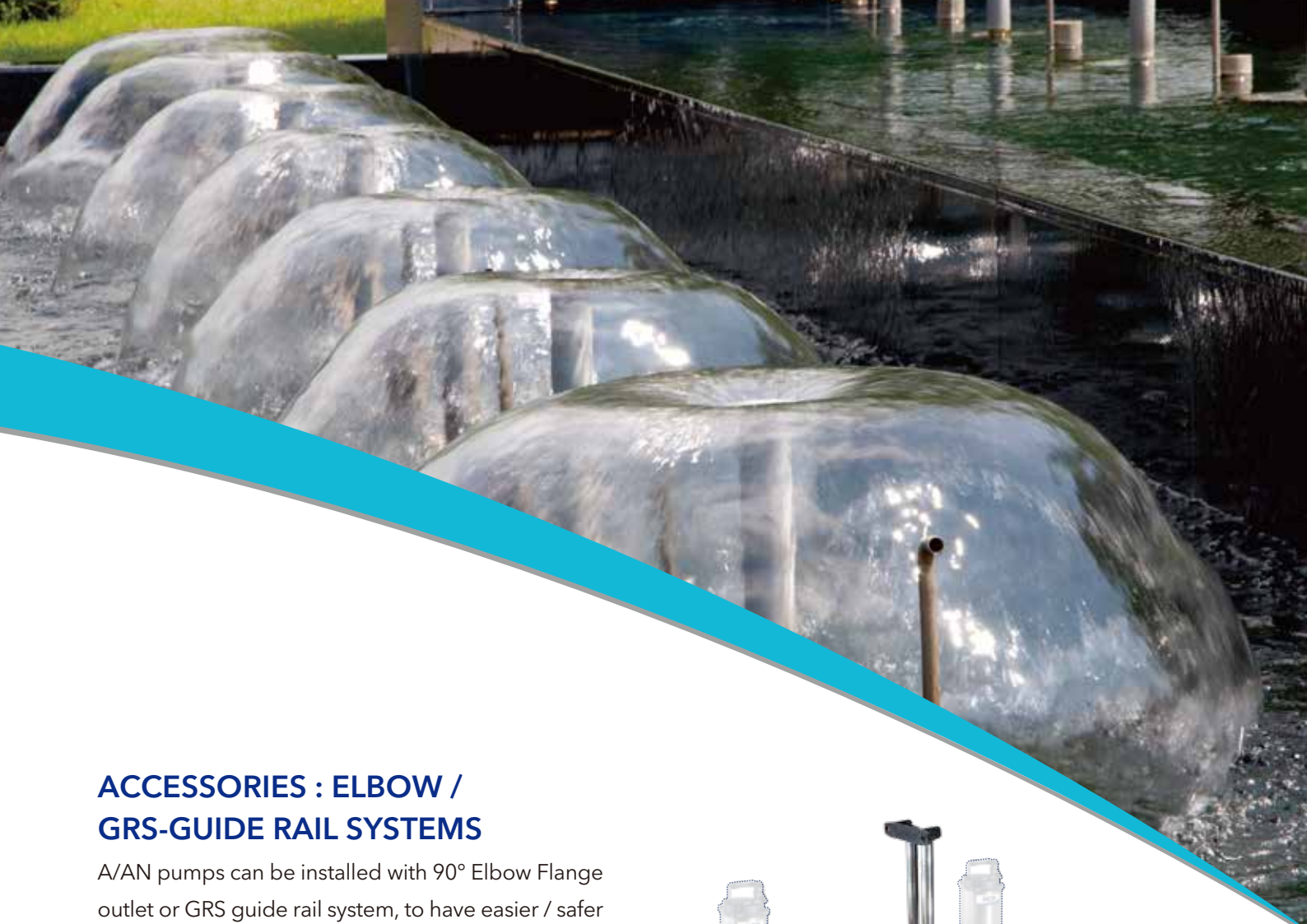
| Item          | Description                                                                  |
|---------------|------------------------------------------------------------------------------|
| Limits of Use | Liquid Temp. 0~40°C                                                          |
|               | Applications Clean / Dirty Water From Sumps • Basins and Tanks               |
| Type          | Frequency 50Hz                                                               |
|               | Motor 2P(3000rpm) • Dry Motor (A-05A : Oil Motor)                            |
|               | Insulation Class B (0.5~1HP) • Class F (1.5~5HP)                             |
|               | Protection IP68                                                              |
|               | Protector Auto-cut (0.5HP 1Ø : Thermal)                                      |
|               | Bearing Ball Type                                                            |
|               | M.seal Double M.seals (A-05A : Single M.seal)                                |
| Material      | Impeller Vortex • Open                                                       |
|               | Upper Cover FC200 / GG-20                                                    |
|               | Motor Frame SUS304 / X5CrNi18-10                                             |
|               | Shaft SUS410 / X10Cr13 (0.5~1.5HP) • SUS403 / X5Cr13 (2~5HP)                 |
|               | M.seal CA/CE & SiC/SiC (A-05A : CA/CE)                                       |
|               | Casing FC200 / GG-20                                                         |
|               | Impeller FC200 / GG-20 (A-05A/05B : PA)                                      |
| Optional      | Cable VCT or H07RN-F                                                         |
|               | Pumps can be customized to fit specifications Floating Switch (2P : 0.5~3HP) |

## PERFORMANCE SPECS.

※ Note : Weight Without Cable & Elbow Set.

| Model   | Output HP(kW) | Discharge Inch(mm) | Phase Ø | Start Method  | Head m | Standard |      | Solid Passage mm | Weight kg |    | Dimensions mm |     |     |     |     |
|---------|---------------|--------------------|---------|---------------|--------|----------|------|------------------|-----------|----|---------------|-----|-----|-----|-----|
|         |               |                    |         |               |        | m³/min   | m³/h |                  | 1Ø        | 3Ø | A             | B   | C   | 1Ø  | 3Ø  |
| A-05A   | 0.5 (0.4)     | 2" (50)            | 1       | Capacitor     | 8      | 0.12     | 7.2  | 7.5              | 12        | -  | 225           | -   | 161 | 349 | -   |
| A-05B   | 0.5 (0.4)     | 2" (50)            | 1/3     | Capacitor DOL | 8      | 0.12     | 7.2  | 7.5              | 13        | 12 | 225           | -   | 161 | 371 | 371 |
| A-05L   | 0.5 (0.4)     | 2" (50)            | 1/3     | Capacitor DOL | 6.5    | 0.15     | 9    | 10               | 16        | 14 | 245           | -   | 173 | 430 | 430 |
| A-21    | 1 (0.75)      | 2" (50)            | 1/3     | Capacitor DOL | 10     | 0.17     | 10.2 | 10               | 17        | 15 | 245           | -   | 173 | 430 | 430 |
| A-31 V  | 1 (0.75)      | 3" (80)            | 1/3     | Capacitor DOL | 7      | 0.3      | 18   | 10               | 18        | 17 | 276           | -   | 173 | 445 | 445 |
| AN-21   | 1 (0.75)      | 2" (50)            | 1/3     | Capacitor DOL | 13.5   | 0.12     | 7.2  | 7                | 18        | 17 | 262           | -   | 187 | 393 | 393 |
| AN-21.5 | 1.5 (1.1)     | 2" (50)            | 1/3     | Capacitor DOL | 14.5   | 0.16     | 9.6  | 7                | 20        | 18 | 262           | -   | 187 | 413 | 393 |
| AN-22   | 2 (1.5)       | 2" (50)            | 1/3     | Capacitor DOL | 18.5   | 0.25     | 15   | 10.5             | 31        | 27 | 282           | -   | 207 | 580 | 499 |
| AN-23   | 3 (2.2)       | 2" (50)            | 1/3     | Capacitor DOL | 23.5   | 0.3      | 18   | 10.5             | 35        | 30 | 282           | -   | 207 | 592 | 499 |
| AN-32   | 2 (1.5)       | 3" (80)            | 1/3     | Capacitor DOL | 10.5   | 0.5      | 30   | 10.5             | 33        | 29 | 391           | 249 | 208 | 591 | 510 |
| AN-33   | 3 (2.2)       | 3" (80)            | 1/3     | Capacitor DOL | 15.5   | 0.5      | 30   | 10.5             | 37        | 32 | 391           | 249 | 208 | 603 | 510 |
| AN-35   | 5 (3.7)       | 3" (80)            | 3       | DOL           | 19     | 0.6      | 36   | 20               | -         | 35 | 440           | 248 | 207 | -   | 540 |
| AN-43   | 3 (2.2)       | 4" (100)           | 1/3     | Capacitor DOL | 10.5   | 0.7      | 42   | 20               | 37        | 32 | 389           | 248 | 207 | 601 | 520 |





## ACCESSORIES : ELBOW / GRS-GUIDE RAIL SYSTEMS

A/AN pumps can be installed with 90° Elbow Flange outlet or GRS guide rail system, to have easier / safer installation or removal during replacement and maintenance. The GRS does not support the V Type Models.



ELBOW

GRS

## PRODUCT FEATURES



### Epoxy Cable Base

An epoxy resin seal cable base prevents moisture from entering the motor through the core wires.



### Double Mechanical Seals

Superior abrasion resistant mechanical seal is manufactured with silicon carbide to ensure the best seal effect.



### Auto-cut Protector

Automatic On / Off motor protector to prevent motor burn out due to high temperature and excess amperage draw.



### High Efficiency Dry Motors

All stator coils are treated with insulating varnish procedures to achieve the best insulation, efficiency and durability.



Professionalism · Innovation · Service · Commitment  
**HCP PUMP MANUFACTURER CO., LTD.**  
[www.hcppump.com](http://www.hcppump.com)



Distributor: